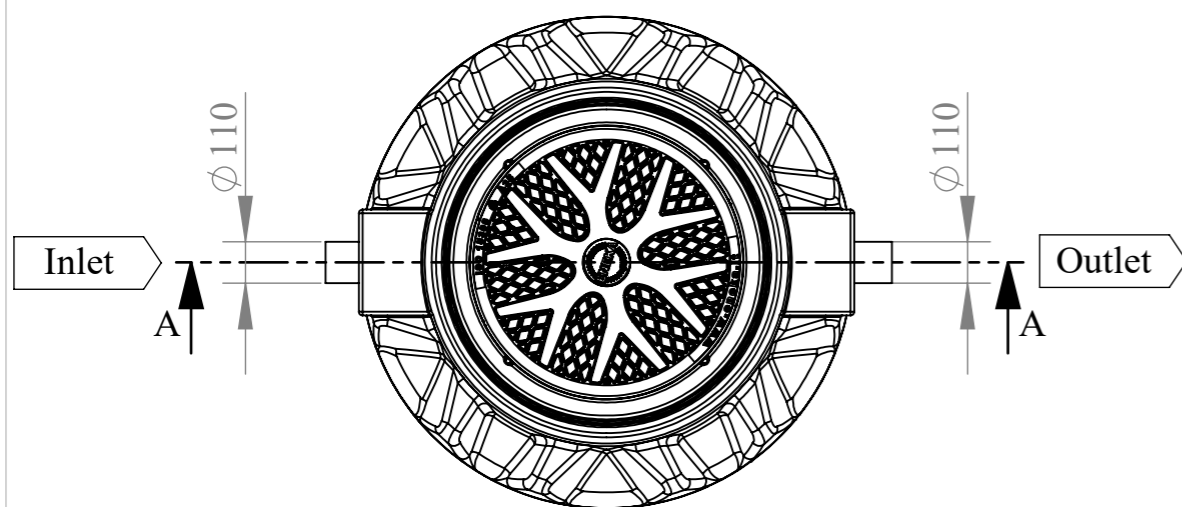



A-A



		Class	Weight
1	Cover according to standart EN124 (☒)	A35 (3,5 t) □	13 kg
		B125 (12,5 t) □	45 kg
		C250 (25 t) □	55 kg
		D400 (40 t) □	90 kg
2	Maintenance shaft (☒)	800...1000 □	31 kg
		1000...1250 □	33 kg
		1250...1500 □	42 kg
		1500...1750 □	52 kg
		1750...2000 □	62 kg
		2000...2250 □	71 kg
		2250...2500 □	80 kg
3	Ladder		
4	Storage capacity for grease	160 l	
5	Grease separation chamber	850 l	
6	Sludge trap	400 l	
7	Grease level alarm sensor (☒)	□	
		Nominal flow rate	4 l/s
		Total capacity	1250 l
Weight excluding manhole shaft/lid		96 kg	S
		146 kg	R

Product <b>GR</b>	Name <b>Grease separator Greasly 4 B</b>	Scale <b>1:20</b>
Design by <b>V.Laucius</b>	Checked by <b>E.Mozuraitis</b>	Approved by <b>E.Kuodis</b>
 <b>UAB ENKA</b> Vandziogalos g. 94 LT-47467 Kaunas, Lithuania tel. +37037377441, faks. +37037377907 www.eneka.lt, info@eneka.lt		Drawing type <b>Customer drawing</b>  Drawing no. -  Date <b>4/22/2020</b>
Construction site -		Lang. Sheet <b>en 1</b>